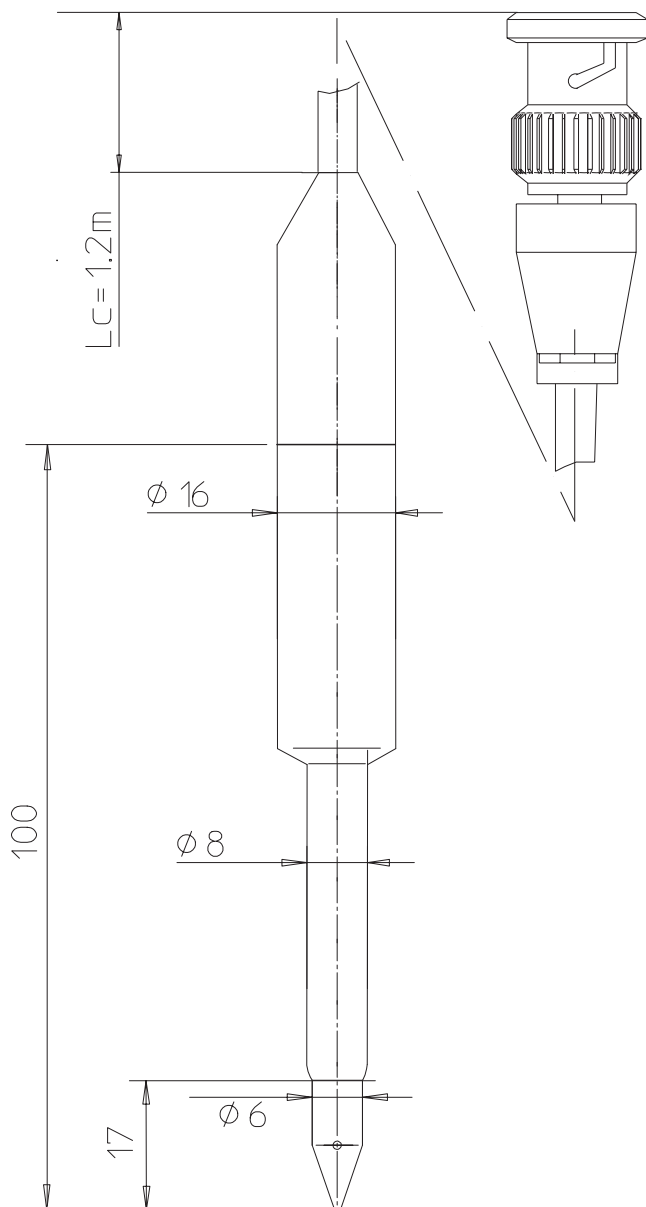


LE427**2-in-1****pH****Order number** 51340333

former order number -

Specifications

pH range 1 - 11

zero point (pH) 7.00 ± 0.25

temperature range 0 - 50 °C

temperature probe -

shaft material Glass

membrane glass LoT

membrane resistance < 250 MΩ

reference system Ag / AgCl

reference diaphragm Ceramic

reference electrolyte DPA gel

bridge electrolyte -

electrode head LE cap

cable length 1.2 m

connector BNC

cell constant (cm⁻¹) -

cell type -

indicating metal -

Storage 3 mol/L KCl**Special features**

plastic coated shaft for protection and increased stability

Scale 1:1



Wolflabs

Wolf Laboratories Limited

www.wolflabs.co.uk

Tel: 01759 301142

Fax: 01759 301143

sales@wolflabs.co.uk



Use the above details to contact us if this literature doesn't answer all your questions.

Pricing on any accessories shown can be found by keying the part number into the search box on our website.

The specifications listed in this brochure are subject to change by the manufacturer and therefore cannot be guaranteed to be correct. If there are aspects of the specification that must be guaranteed, please provide these to our sales team so that details can be confirmed.

